

Shutoff valve type A230 / A240

Application and function

The area of application comprises the entire product range of transparent and bicolour level gauges. They are used to shut off the level gauge.

Technical basic equipment

- Body material carbon steel, material as per DIN or ASME
- Inner parts of valve stainless steel
- Handwheel and handlever aluminium
- Process connection PS = 100 – 200 bar: DN25
- Self-closing ball for automatic shutoff in case of glass or mica break
- Version with backseat to release gland packing

Available (optional) versions

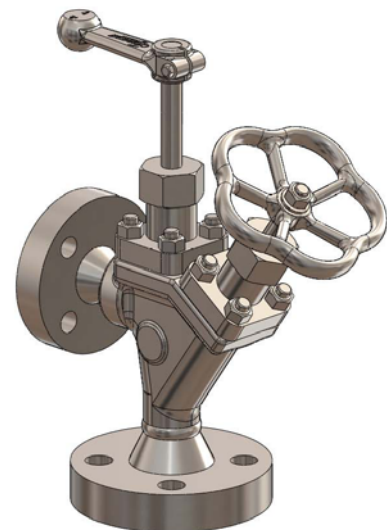
- Quick closing spindle
- Other process connections as per DIN or ASME, butt welding end and socket welding

Technical data

Allowable pressure	PS	[bar]	100	160	200
Allowable temperature	TS	[° C]	312	348	367
Handwheel	∅	[mm]	150		

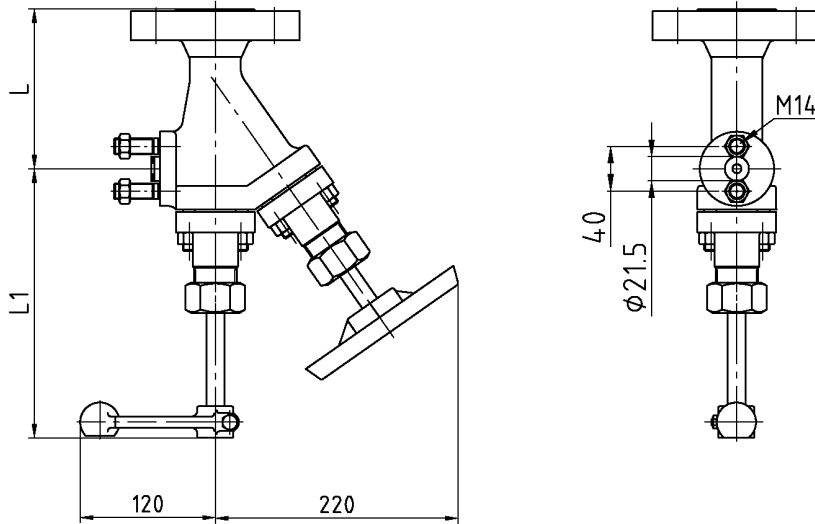


A230

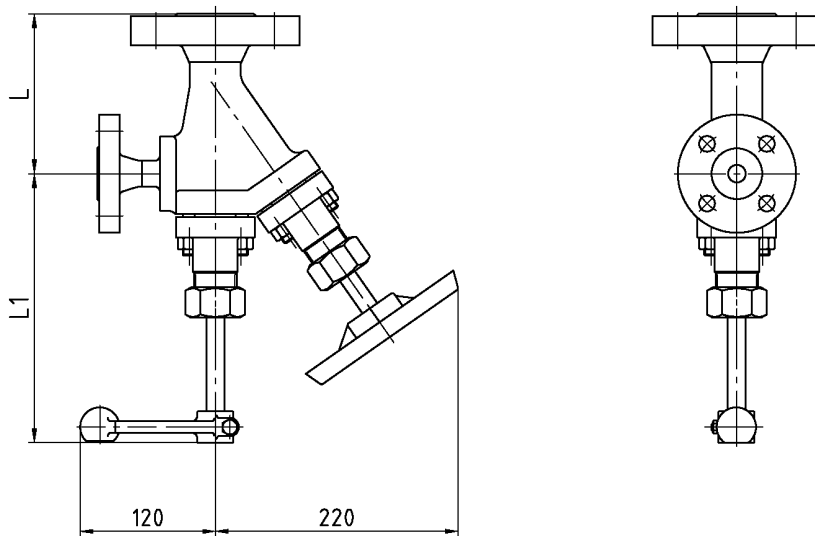


A240

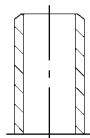
A230 with flange as per DIN



A240 with flange as per DIN

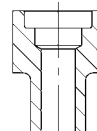


Welding end



Welding end DIN 3239
Butt welding end ASME B16.25

Socket Welding



Socket welding
SW ASME B16.11

Allowable pressure [bar]	Flange	L [mm]	Welding end	L [mm]	L1 [mm]
100	DN25 DIN 2638-E	145	DN25 DIN 3239	150	240
160	DN25 DIN 2628-E	155	DN25 DIN 3239	150	245
200	DN25 DIN 2629-E	170	DN25 DIN 3239	150	240-250

